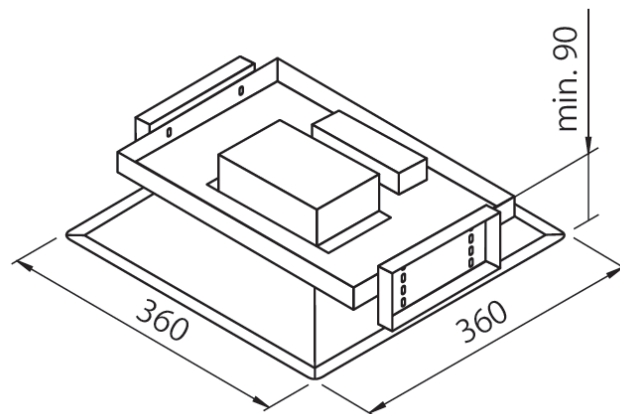




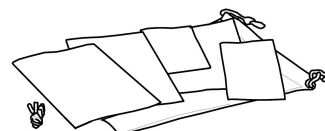
FREE LIGHT W

1

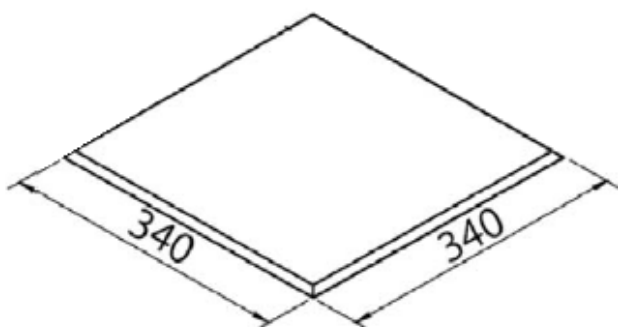


x4

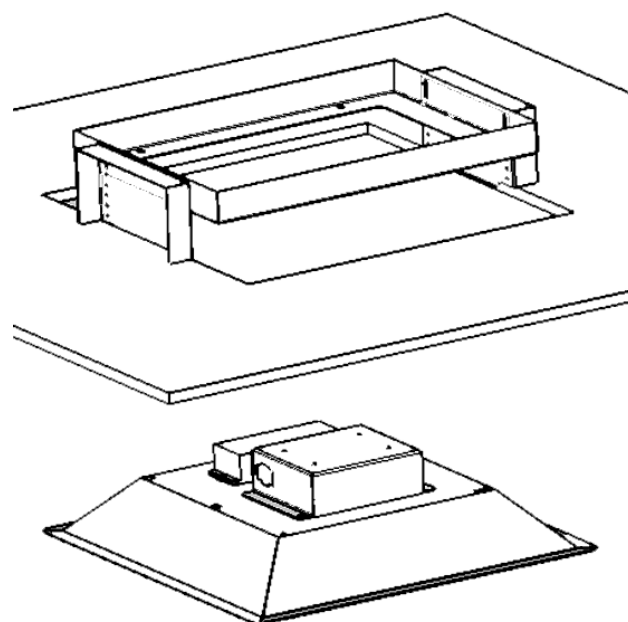
x4



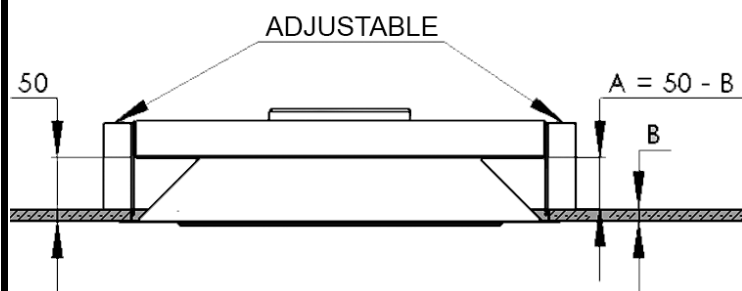
2



3



4



5

