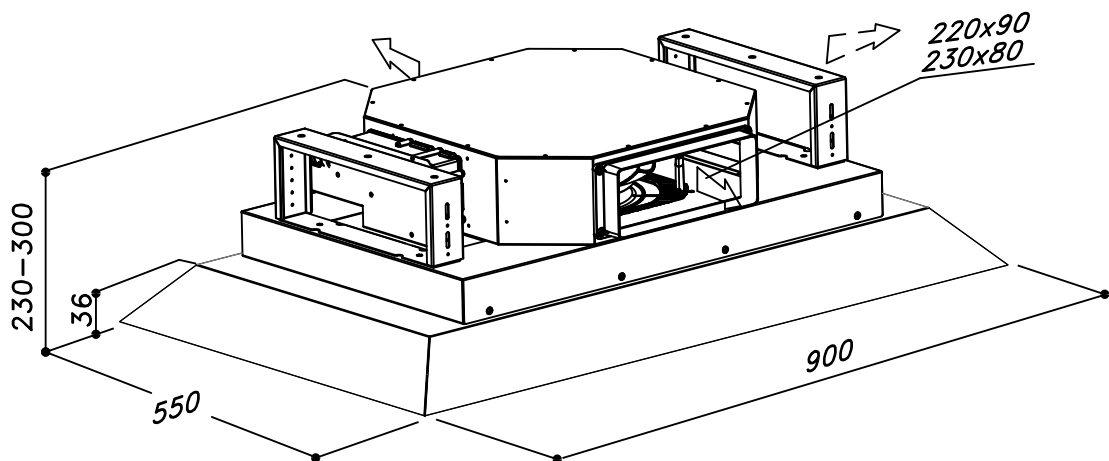


S972

radial motor



For the installation, create a false ceiling with a niche of 750mm for 410mm whose minimum height to be reached is 200mm

Freestanding installation: the frame is located out of the false ceiling

11-9-2018